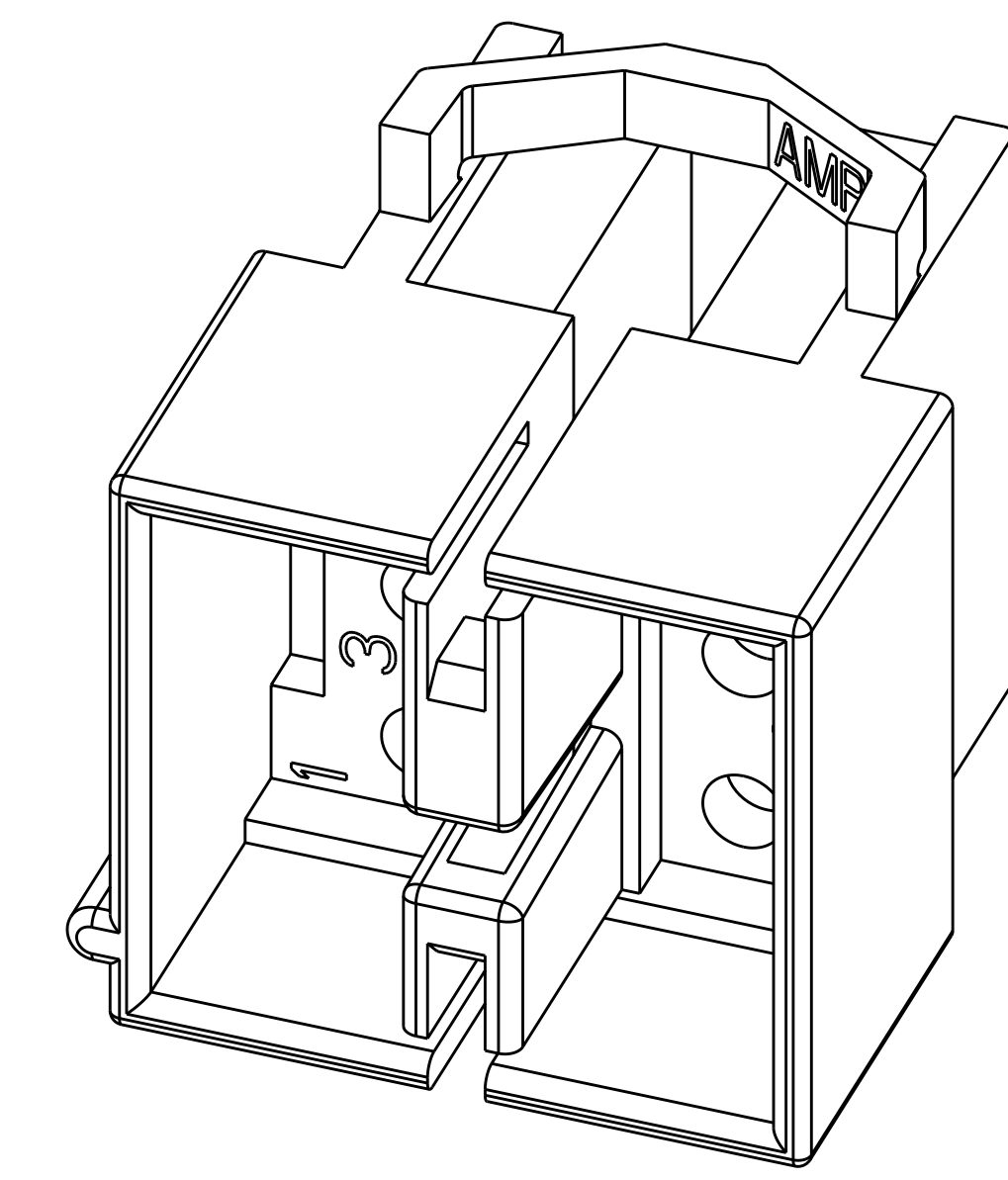
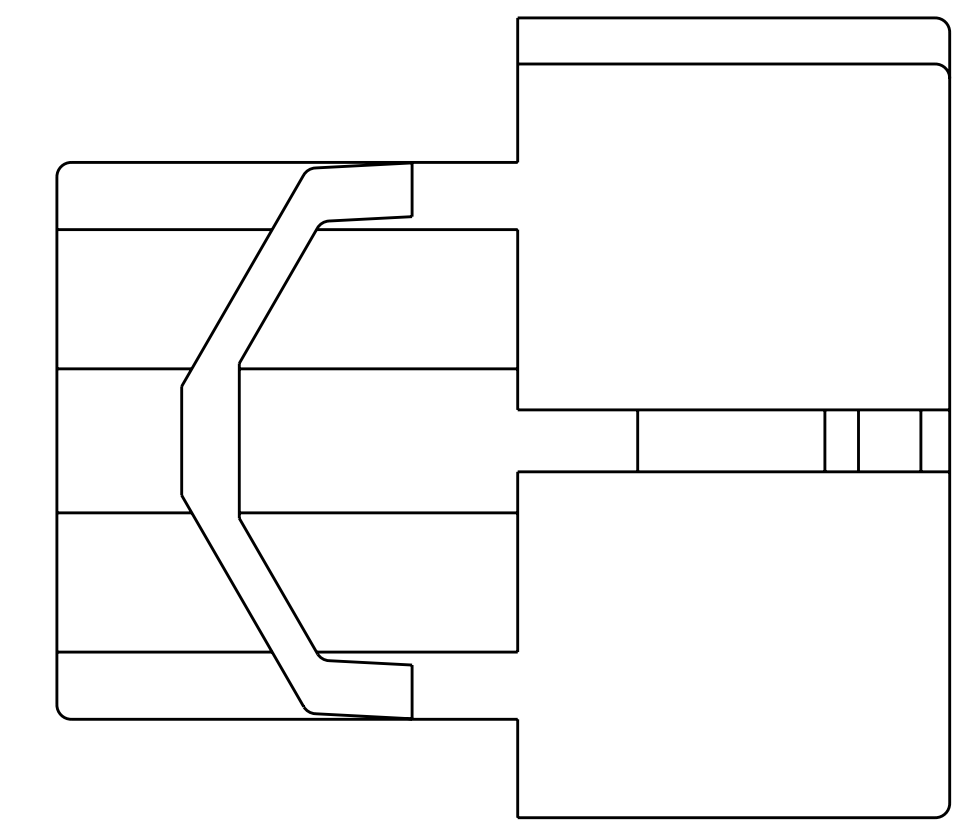
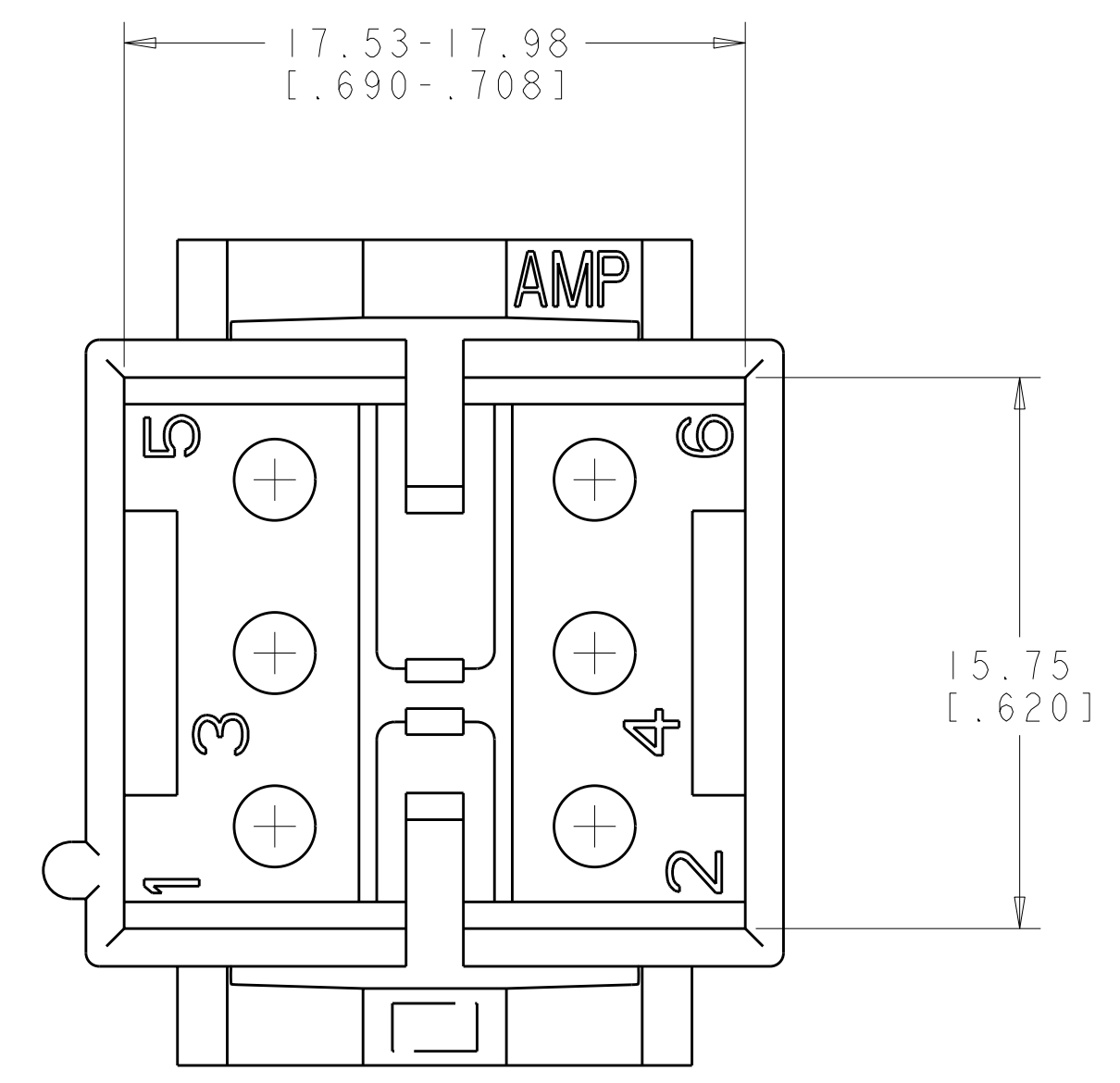
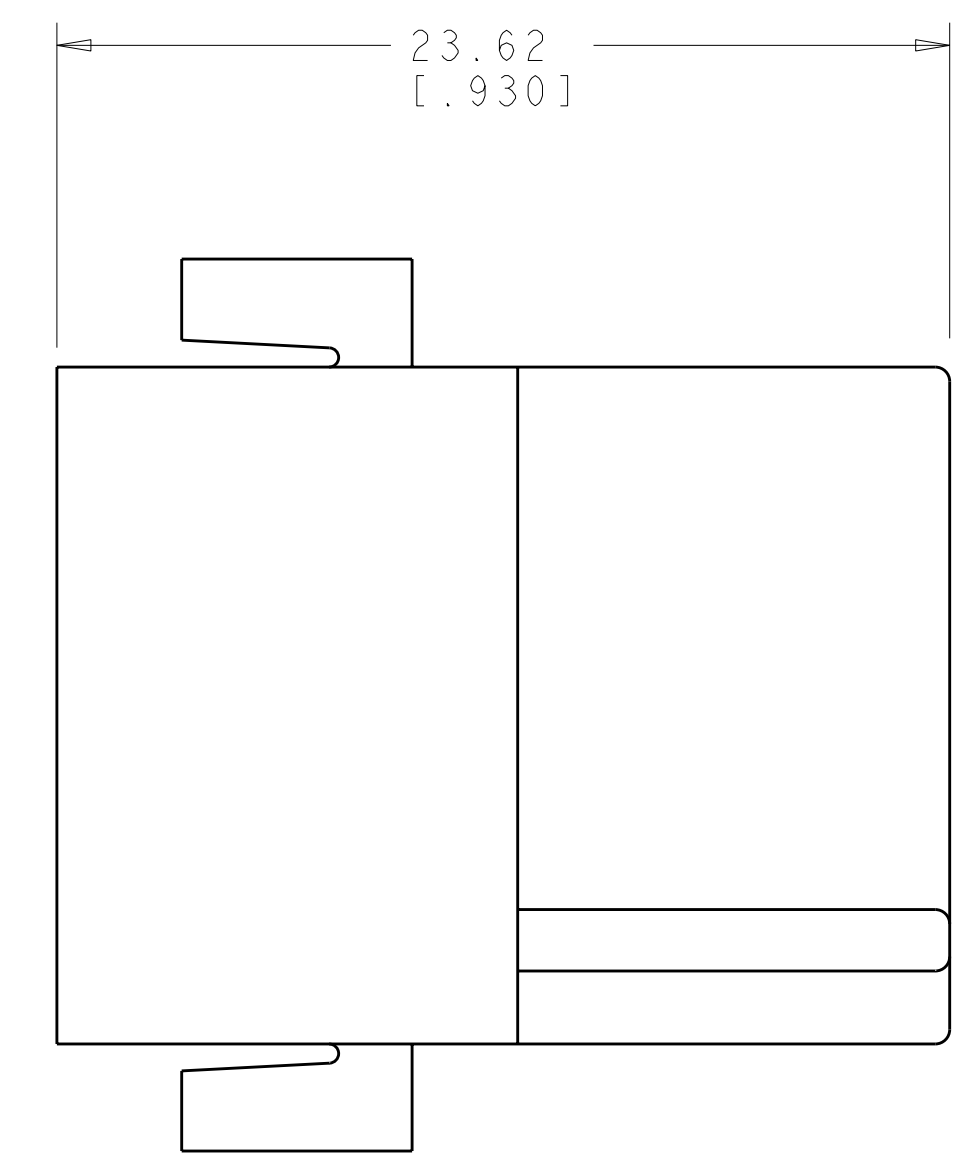
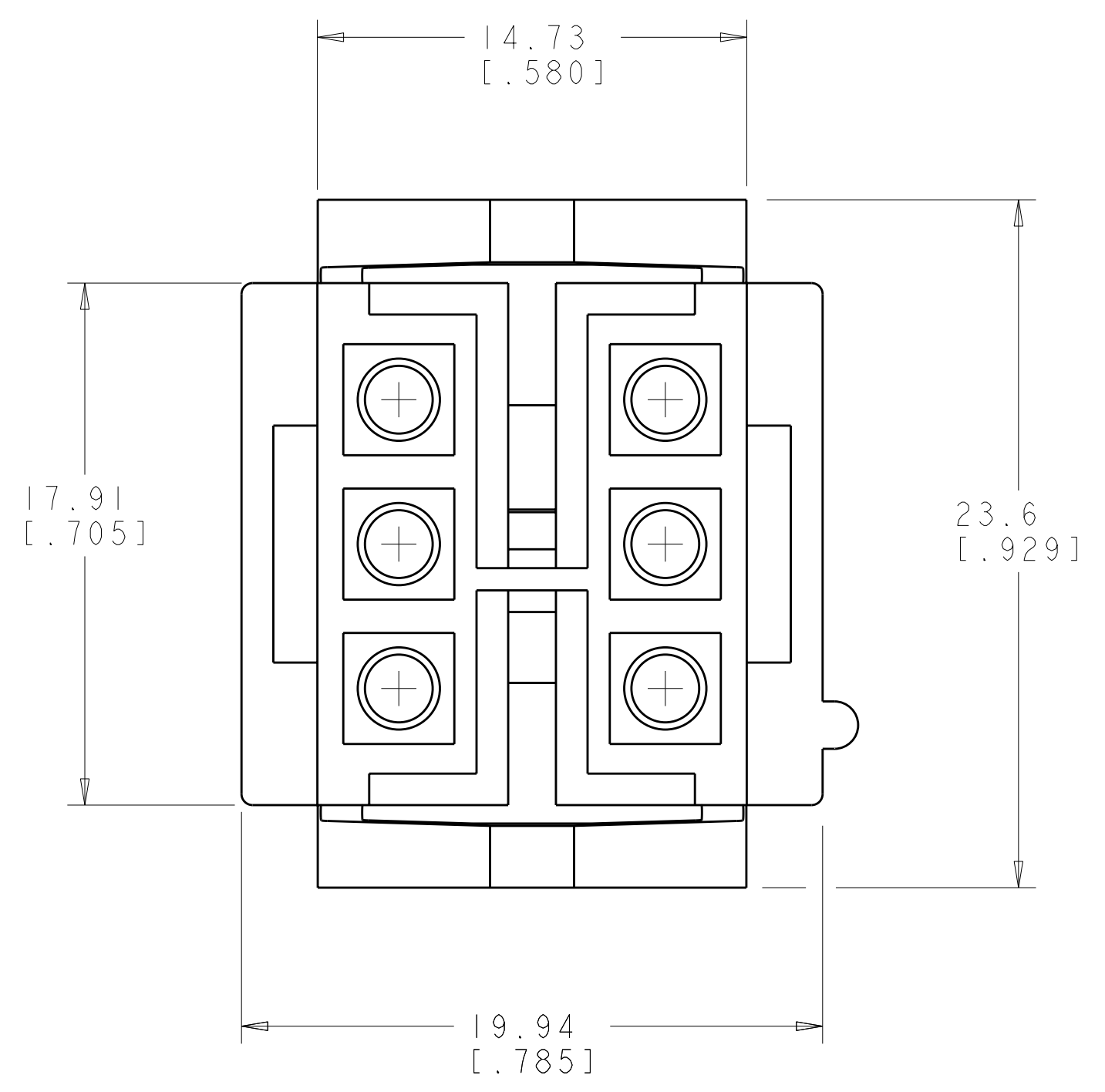


LOC	DIST	REVISIONS			
CM	00	REV	DATE	BY	APPD
		J1	17MAR2011	RK	HMR

1. THIS CAP IS TO BE USED WITH PLUG 480270.
2. TO BE USED WITH APPROPRIATE COMMERCIAL MATE-N-LOK™ PINS.



0.184 IN ³	1-480340-0
VOLUME	PART NUMBER

METRIC

THIS DRAWING IS A CONTROLLED DOCUMENT.		DWN: R. WHITAKER 01NOV2007	TE Connectivity CAP, FREE HANGING, COMMERCIAL MATE-N-LOK(TM)
DIMENSIONS: mm [INCHES]		CHK: C. CASH 01NOV2007	
TOLERANCES UNLESS OTHERWISE SPECIFIED:		APPD: C. CASH 01NOV2007	
9 PLC ± 8 PLC ±0.13 (1.005) 5 PLC ± 4 PLC ± ANGLES ±0°30' FINISH		NAME: PRODUCT SPEC: APPLICATION SPEC: WEIGHT: CUSTOMER DRAWING	
MATERIAL: NYLON, U 94V-2, NATURAL		SIZE: A100779	DRAWING NO: C=480340 RESTRICTED TO: SCALE: 5:1 SHEET 1 OF 1 REV J1